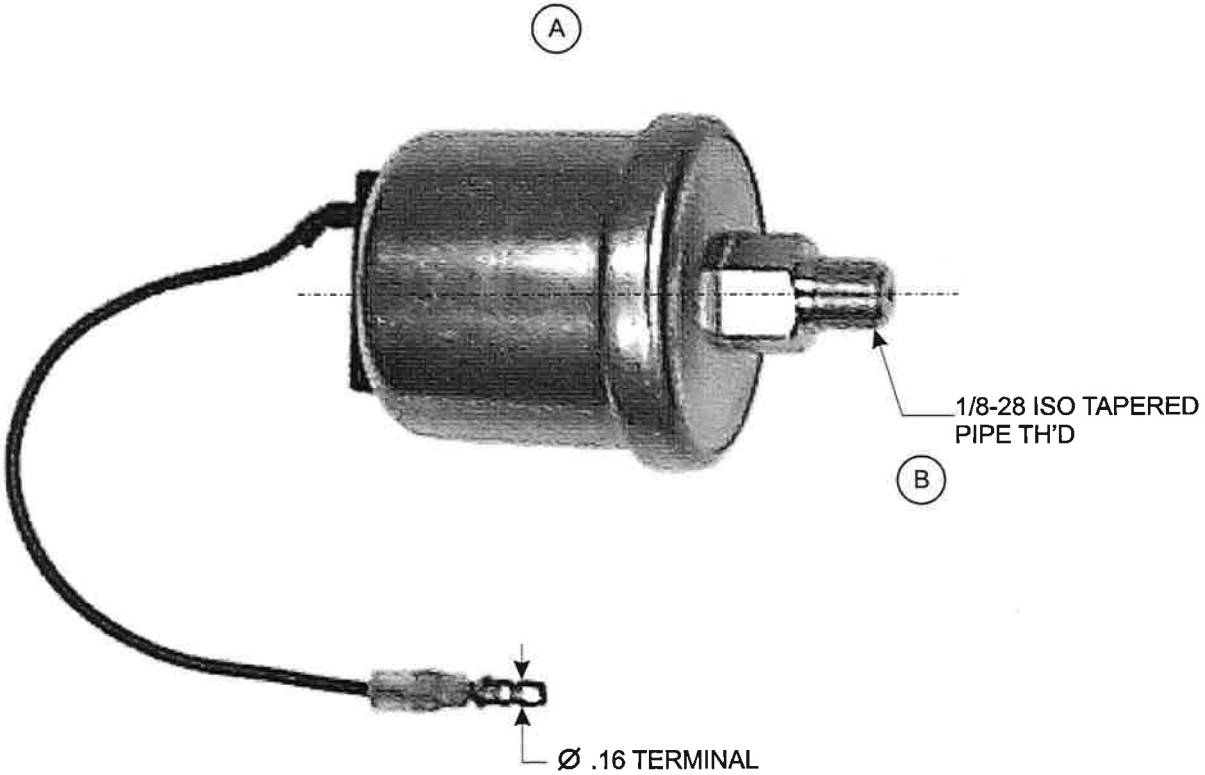


PART NO. PS251

TOLERANCES UNLESS SPECIFIED		
TWO PLACE DECIMALS +/- .015	THREE PLACE DECIMALS +/- .005	ANGLES +/- 1°



PRESSURE (PSIG)	RESISTANCE (OHMS)
80	100-130
40	50-80
0	5-25

(A)

NOTES:

- (A) 1. TEST WITH DESCENDING PRESSURE.
- (B) 2. REPLACES O.E.M. # 10137647, 8-10137-647-0, 8-94232-115-2
- (B) 3. RUBBER COVER OPTIONAL.

					MATERIAL	N/A	SCALE	NTS	<b>WELLS</b> MANUFACTURING CORP. FOND DU LAC, WISCONSIN		
					FINISH	N/A	DATE	11-14-97		DWN. BY	KLH
B	REVISED NOTES	27832	8-13-04	GC			ENGINEER	11-14-97	DAL	TITLE	OIL PRESSURE SENDER
A	REVISED TABLE, ADDED NOTE 1, DELETED DIMENSIONS	25003	2-5-02	KLH			APPROVED	11-14-97	JSK	PART NO.	PS251
	RELEASED	20626	3-6-97	KLH			PURCH.	<input type="checkbox"/>	PROD.	<input type="checkbox"/>	
L	REVISION	CN	DATE	BY	CAD REF.	N/A	MODEL				