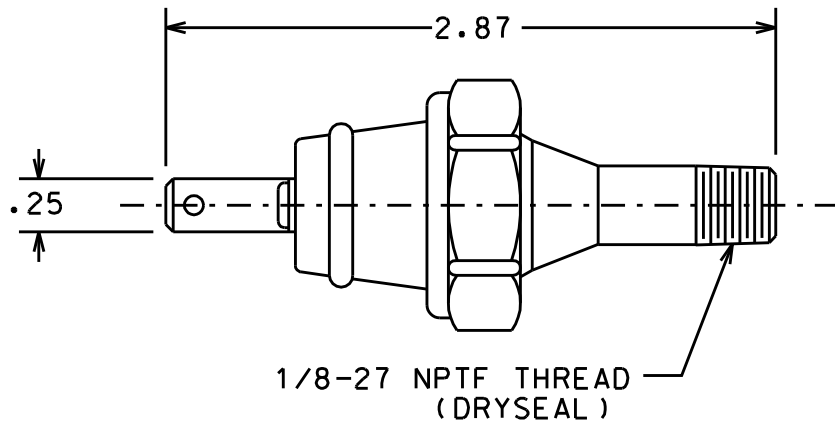
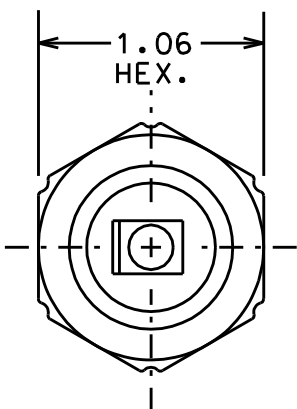


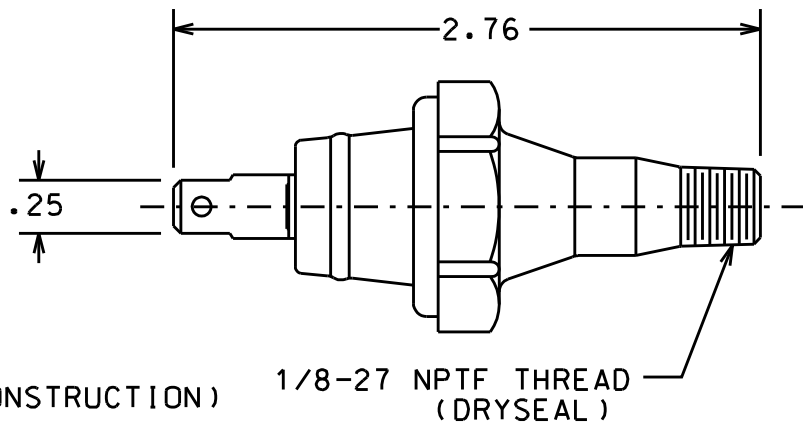
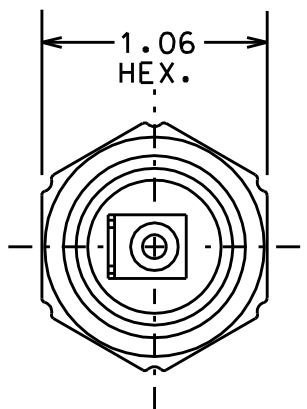
PART NO. PS24

TOLERANCES UNLESS SPECIFIED		
TWO PLACE DECIMALS +/- .015	THREE PLACE DECIMALS +/- .005	ANGLES +/- 1°



PRESSURE SPECIFICATIONS: 3-7 LBS.

THIS PART MUST BE RATED FOR HIGH TEMPERATURE APPLICATION (300°F.)



(E) (OPTIONAL CONSTRUCTION)

REPLACES O.E. # 3751700, 1508753, 3815936

				MATERIAL	N/A	SCALE	FULL	WELLS MANUFACTURING L.P. FOND DU LAC, WISCONSIN		
				FINISH	N/A	DATE	1-11-00 OWN. By KLH			
E	ADDED (OPTIONAL CONSTRUCTION)	30026	10-26-06	SAM		ENGINEER	1-11-00	PJS	TITLE	PRESSURE SWITCH
D	REDRAWN	22977	1-11-00	KLH		APPROVED	1-11-00	JSK	PART NO.	PS24
L	REVISION	CN	DATE	BY	CAD REF.	PS24	MODEL			