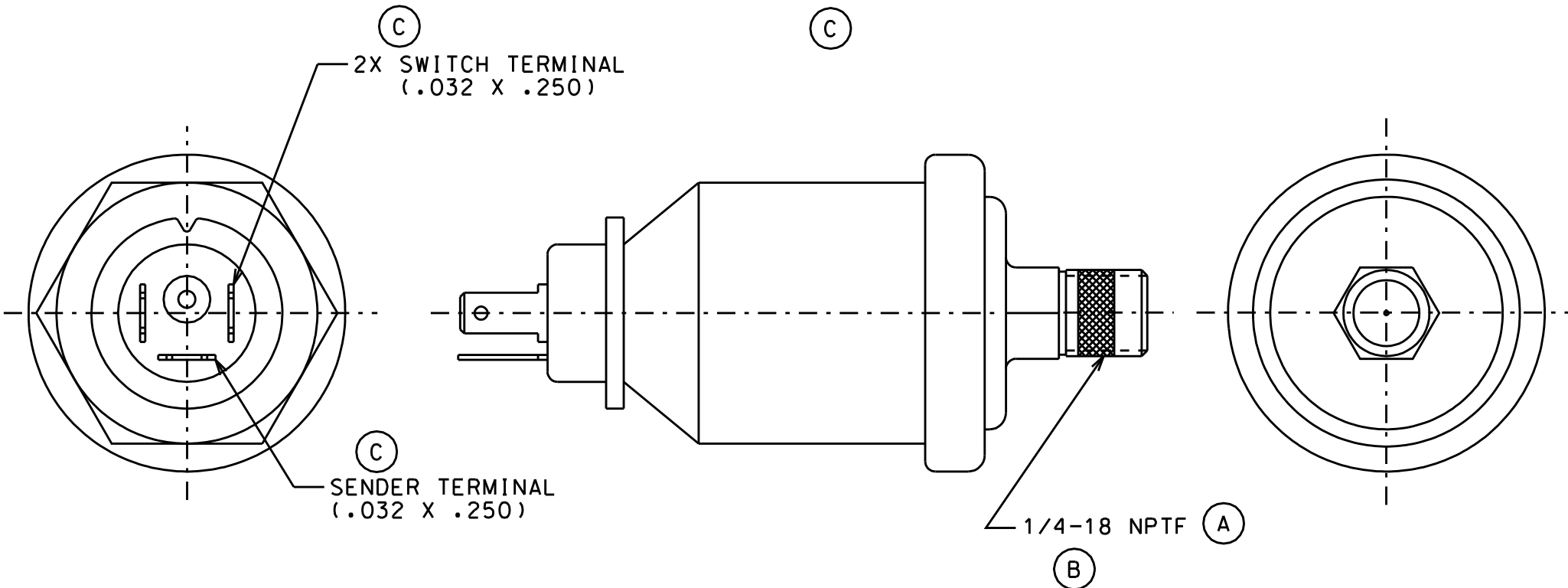


PART NO. PS223

| TOLERANCES UNLESS SPECIFIED | | |
|-----------------------------|-------------------------------|---------------|
| TWO PLACE DECIMALS +/- .015 | THREE PLACE DECIMALS +/- .005 | ANGLES +/- 1° |



| PRESSURE (DESCENDING) | RESISTANCE |
|-----------------------|------------|
| 60 | 50-60 Ω |
| 40 | 40-50 Ω |
| 10 | 15-35 Ω |
| 0 | 0- 5 Ω |

SWITCH OPENS AT 6.0-2.0 PSI (DESCENDING PRESSURE)

REPLACES O.E.M. G.M. #10030963, 10045775 (D)

| | | | | | | | | | |
|---|--|--------|---------|-----|-----------------|----------|--------------------------|---|--|
| D | 6.0-2.0 PSI WAS 2-6 PSIG | 30247 | 1-29-07 | SAM | MATERIAL N/A | SCALE | NTS | WELLS MANUFACTURING L.P. FOND DU LAC, WISCONSIN | |
| C | REVISED TABLE & TERMINAL I.D., DELETED DIMS. | 24931 | 1-2-02 | KLH | | DATE | 8-17-94 | | OWN. BY JAC |
| B | WAS 1/8 - 27 | 21008 | 9-12-97 | DWJ | FINISH N/A | ENGINEER | 8-17-94 | DAL | |
| A | REVISED NOTES & ADDED PRESSURE TABLE | 20500 | 1-17-97 | CJM | | APPROVED | 8-17-94 | JSK | TITLE (A) OIL PRESSURE SENDING UNIT |
| | RELEASE | 18596A | 8-17-94 | JAC | | PURCH. | <input type="checkbox"/> | PROD. | <input type="checkbox"/> |
| L | REVISION | CN | DATE | BY | CAD REF. | PS223 | MODEL | | PART NO. PS223 |