

PART NO.

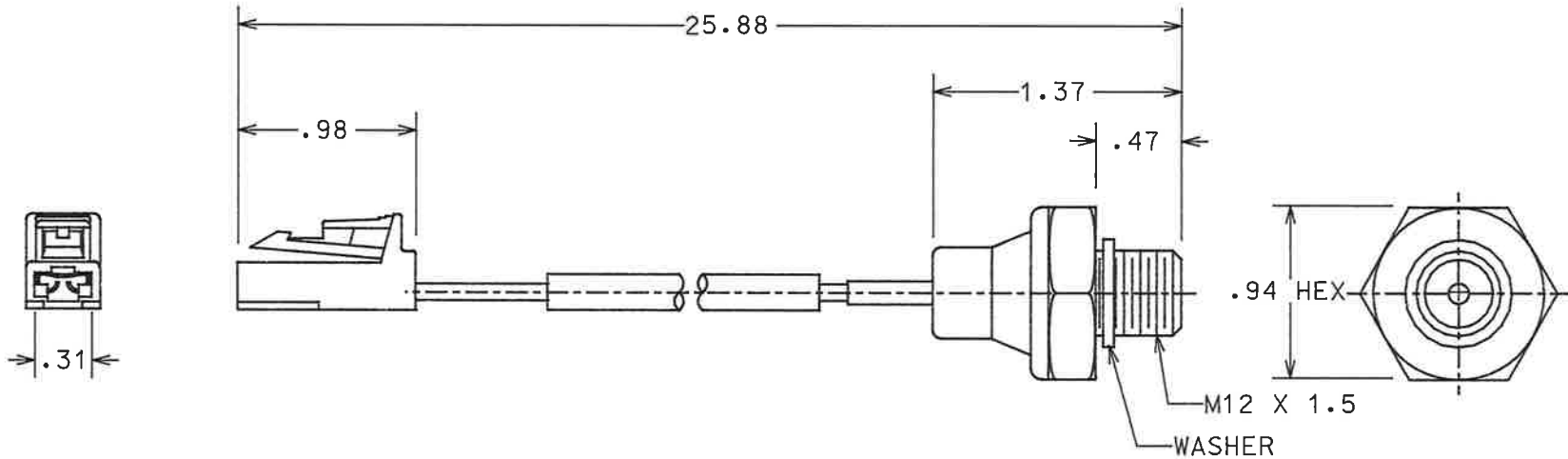
PS214

TOLERANCES UNLESS SPECIFIED

TWO PLACE DECIMALS +/- .015

THREE PLACE DECIMALS +/- .005

ANGLES +/- 1°



NORMALLY CLOSER CIRCUIT
OPENS @ 14.5 ± 2.2 PSI

REPLACE O.E. # BU30-21-291

NOTES:

1. REFERENCE "ANSI Y14.5M-1982".

					MATERIAL	SCALE	NTS	WELLS MFG. CORP. FOND DU LAC, WISCONSIN	
					FINISH	DATE	11-2-94	DWN. BY	SJF
						ENGINEER	11-2-94	DAL	TITLE
						APPROVED	11-2-94	JSK	
	RELEASED	18770A	11-2-94	SJF		PURCH.	<input checked="" type="checkbox"/>	PROD.	<input type="checkbox"/>
L	REVISION	CN	DATE	BY	CAD REF.	MODEL	PS214	PART NO.	PS214