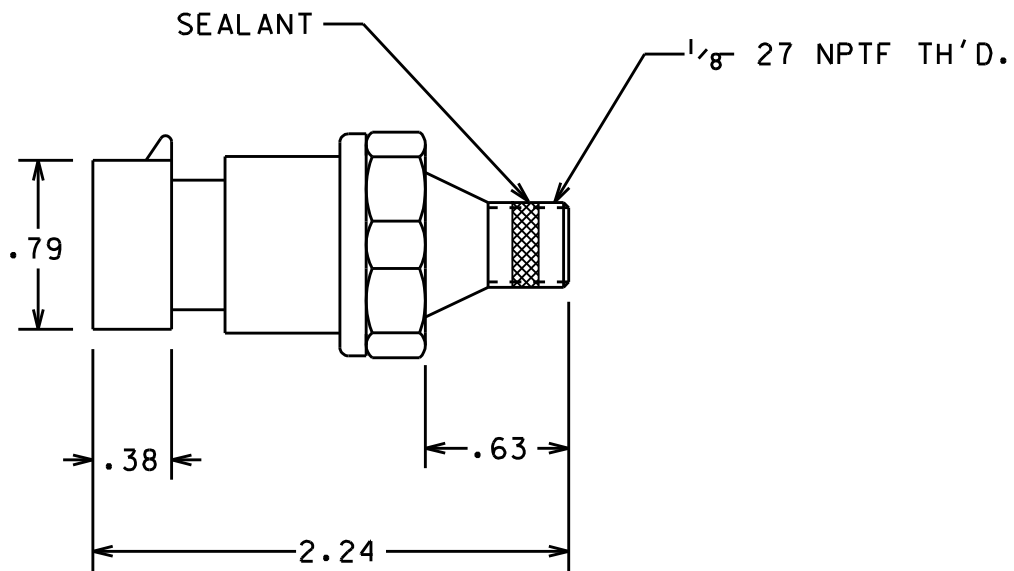
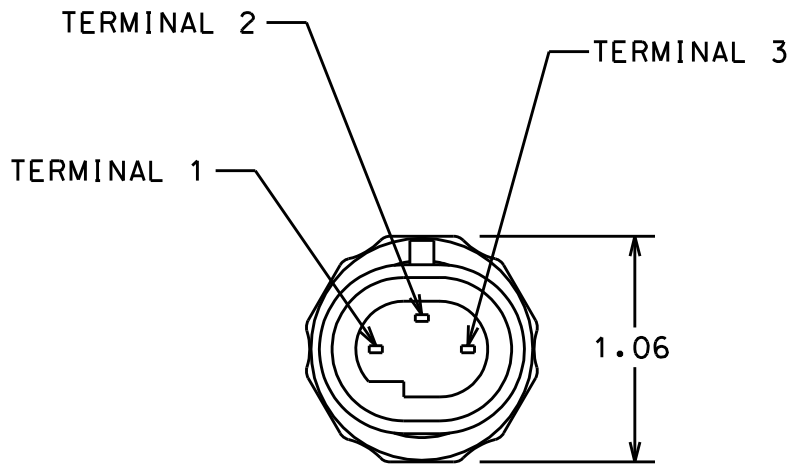


PART NO. PS188

TOLERANCES UNLESS SPECIFIED		
TWO PLACE DECIMALS +/- .015	THREE PLACE DECIMALS +/- .005	ANGLES +/- 1°



(A) TERMINAL 2 IS N.C. TO GND (HOUSING) AND OPENS @ 1.5-7 PSI ASCENDING PRESSURE
 TERMINALS 1 AND 3 ARE N.O. TO EACH OTHER AND CLOSE @ 1.5-7.5 PSI ASCENDING PRESSURE.

REPLACES O.E.M. G.M., ISUZU #25036940, D1849, 8-25036-940-0

					MATERIAL	N/A	SCALE	NTS	WELLS MANUFACTURING L.P. FOND DU LAC, WISCONSIN			
					FINISH	N/A	DATE	8-3-94		OWN. BY JAC		
A	1.5-7 & 1.5-7.5 WAS 2-6 & 1.5-7.5	30054	11-8-06	SAM			ENGINEER	8-3-94	DAL	TITLE	OIL PRESSURE SWITCH	
	RELEASE	18581A	8-3-94	JAC			APPROVED	8-3-94	JSK	PART NO.	PS188	
L	REVISION	CN	DATE	BY	CAD REF.	PS188	PURCH.	<input type="checkbox"/>	PROD.	<input type="checkbox"/>	MODEL	N/A