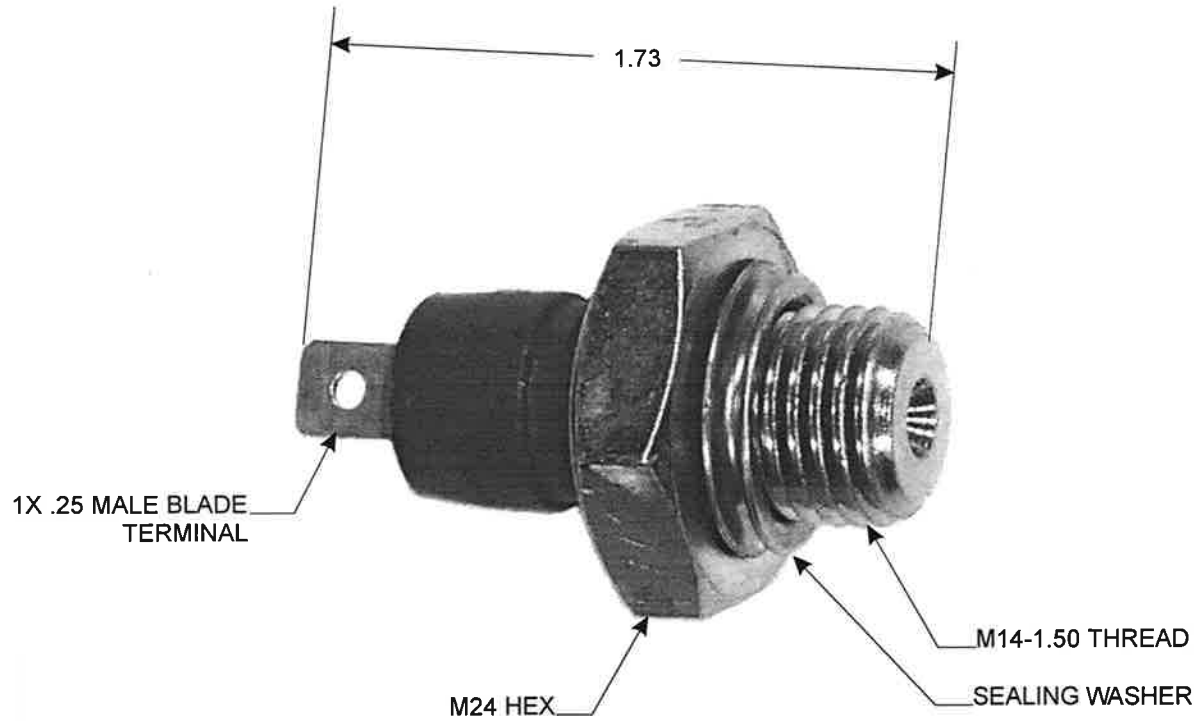


PART NO. PS135

TOLERANCES UNLESS SPECIFIED		
TWO PLACE DECIMALS +/- .015	THREE PLACE DECIMALS +/- .005	ANGLES +/- 1°



OPERATING SPECIFICATIONS

NORMALLY CLOSED CIRCUIT
OPENS AT 3-7 P.S.I.

REPLACES O.E.M. # 32702401, 75 22 402, 91 01 182,
91 12 459, 77 006 557 87, 77 00 655 787, T1348032

				MATERIAL	N/A	SCALE	NTS	WELLS MANUFACTURING CORP. FOND DU LAC, WISCONSIN		
						DATE	5-21-99		DWN. BY	DPH
				FINISH	N/A	ENGINEER	5-21-99	MR	TITLE	
						APPROVED	5-21-99	JSK	OIL PRESSURE SWITCH	
B	REDRAWN, ADDED O.E.M. NUMBERS	22178A	5-21-99	DPH		PURCH.	<input type="checkbox"/>	PROD.	<input type="checkbox"/>	PART NO.
L	REVISION	CN	DATE	BY	CAD REF.	PS135	MODEL	N/A		PS135