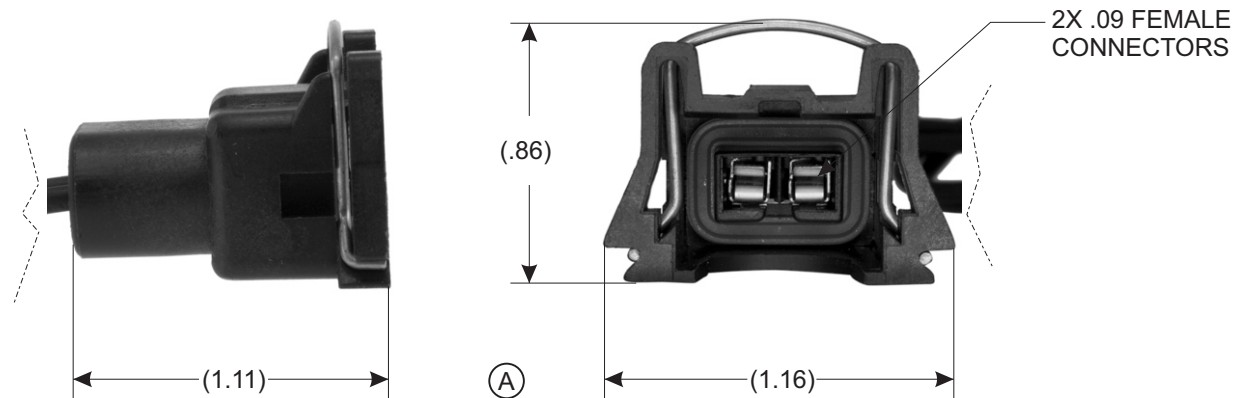


PART NO. 414

TOLERANCES UNLESS SPECIFIED		
TWO PLACE DECIMALS +/- .015	THREE PLACE DECIMALS +/- .005	ANGLES +/- 1°



REPLACES O.E.M. #

					MATERIAL	N/A	SCALE	NTS				
							DATE	12-22-98		DWN. BY	DPH	
							ENGINEER	12-22-98			DAL	
							APPROVED	12-22-98			JSK	
A	ADD CORRECT VIEWS, 7.50 WAS 3.00 & CENTERED WAS RIGHT	40074	10-9-15	SAM	FINISH	N/A	PURCH.	<input type="checkbox"/>	PROD.	<input type="checkbox"/>	TITLE	FUEL INJECTOR CONNECTOR
	RELEASED DRAWING	21687A	12-22-98	DPH							PART NO.	414
L	REVISION	CN	DATE	BY	CAD REF.	N/A	MODEL					