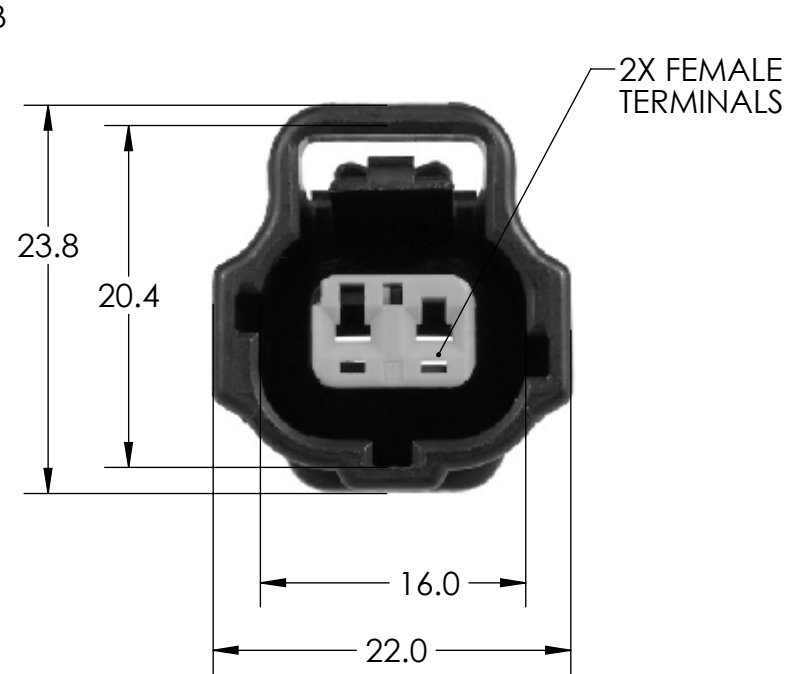
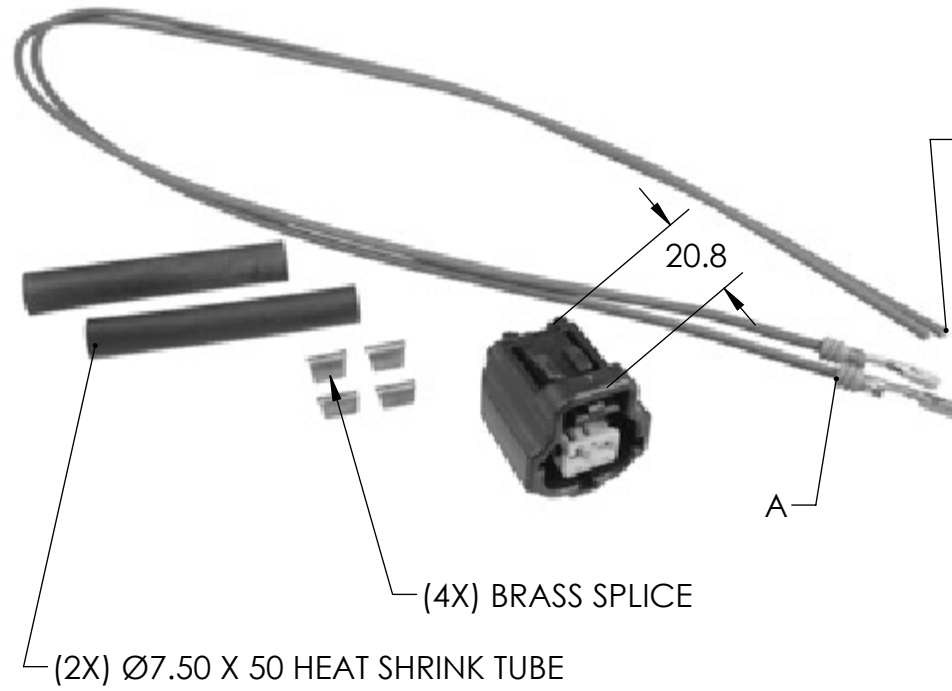


2

1

REVISION

REV.	DESCRIPTION	ECN	DATE	BY
-	RELEASE DRAWING	41791	12/19/2016	KJG



LENGTH FROM A TO B = 48.0 CM

REPLACES O.E.M #5014004AA

NOTE:  
1. ALL DIMENSIONS ARE REFERENCE.

KEY CHARACTERISTIC		◇KPC/KCC 0 TOTAL 0 LAST NO. USED		○SC 0 TOTAL 0 LAST NO. USED	
DATE	12/19/2016	SCALE	NTS	DRAWN BY	 FOND DU LAC, WISCONSIN
MATERIAL				ENGINEER	
FINISH				TITLE	PIGTAIL
UNLESS OTHERWISE SPECIFIED DIM ARE IN MILLIMETERS ANGLE ±1° .X±0.3 .XX±0.13 GD&T ASME Y14.5-2009		 THIRD ANGLE		TYPE	SIZE
				MODEL	2697
				SHEET	1 OF 1
				PART NO.	2697
				REV	-

B

B

A

A