

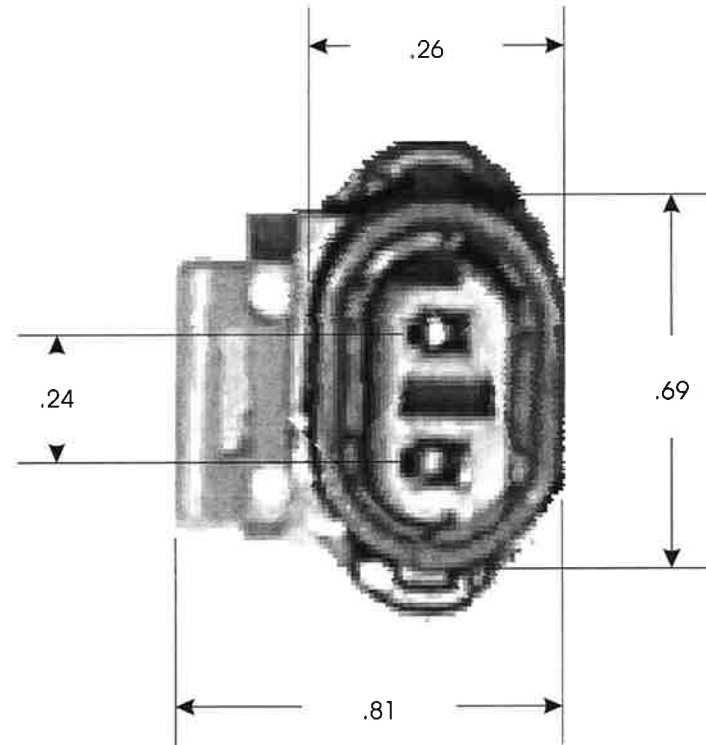
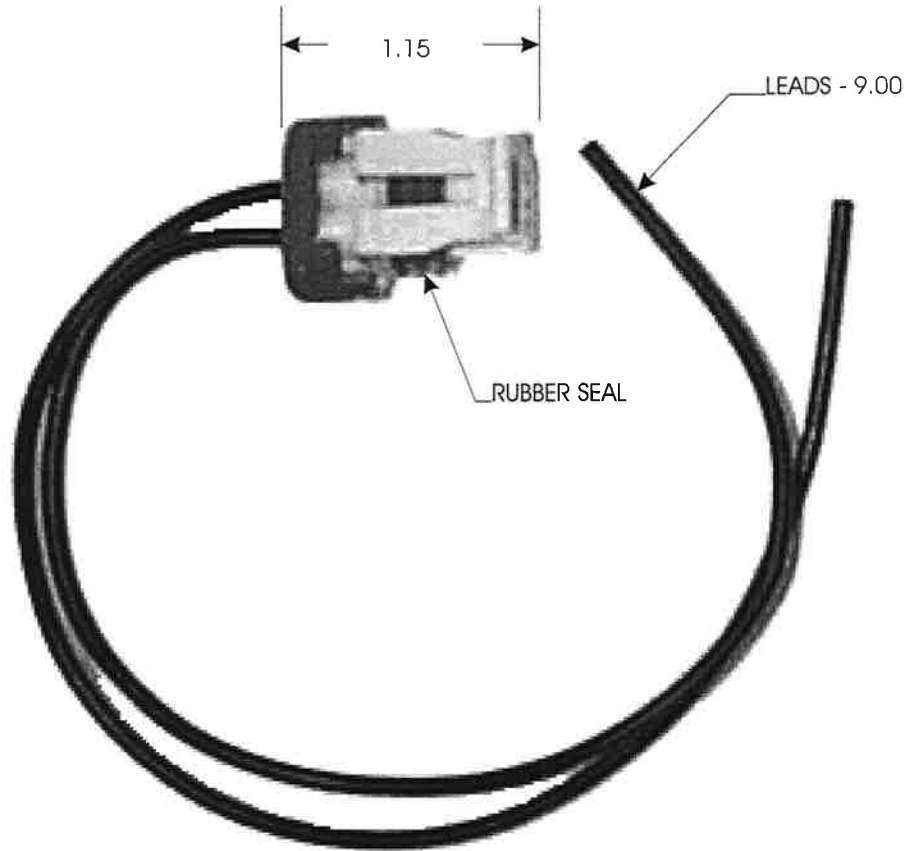
PART NO. 247

TOLERANCES UNLESS SPECIFIED

TWO PLACE DECIMALS +/- .015

THREE PLACE DECIMALS +/- .005

ANGLES +/- 1°



REPLACES O.E. # 1999161, 10456328.

					MATERIAL	SCALE	NTS	WELLS MFG. CORP. FOND DU LAC, WISCONSIN	
						DATE	2-27-95		
					FINISH	ENGINEER	2-27-95	DAL	TITLE
						APPROVED	2-27-95	JSK	HORN PIGTAIL ASSEMBLY
RELEASED		18993A	2-27-95	JAC		PURCH.	<input type="checkbox"/>	PROD.	<input type="checkbox"/>
L	REVISION	CN	DATE	BY	CAD REF.	247	MODEL		PART NO. 247