

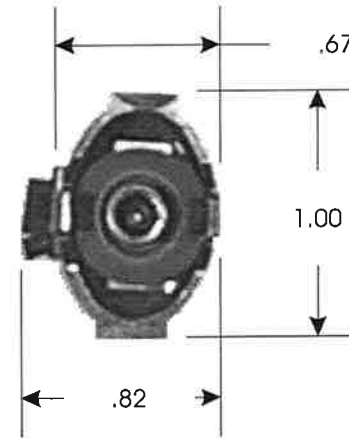
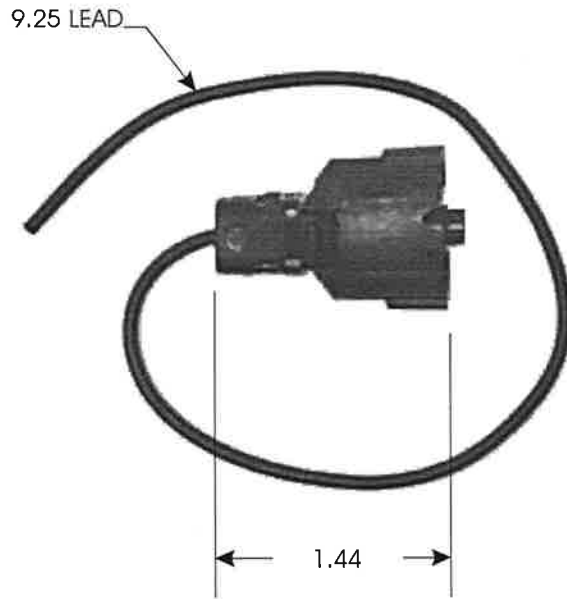
PART NO. 231

TOLERANCES UNLESS SPECIFIED

TWO PLACE DECIMALS +/- .015

THREE PLACE DECIMALS +/- .005

ANGLES +/- 1°



					MATERIAL	SCALE	NTS	WELLS MFG. CORP. FOND DU LAC, WISCONSIN	
						DATE	8-15-96		
					FINISH	ENGINEER	8-15-96	DAL	TITLE
						APPROVED	8-15-96	JSK	RADIATOR FAN TEMP SWITCH PIGTAIL ASSEMBLY
	RELEASED	20142A	8-15-96	JAC		PURCH.	<input type="checkbox"/>	PROD.	<input type="checkbox"/>
L	REVISION	CN	DATE	BY	CAD REF.	231	MODEL	PART NO. 231	