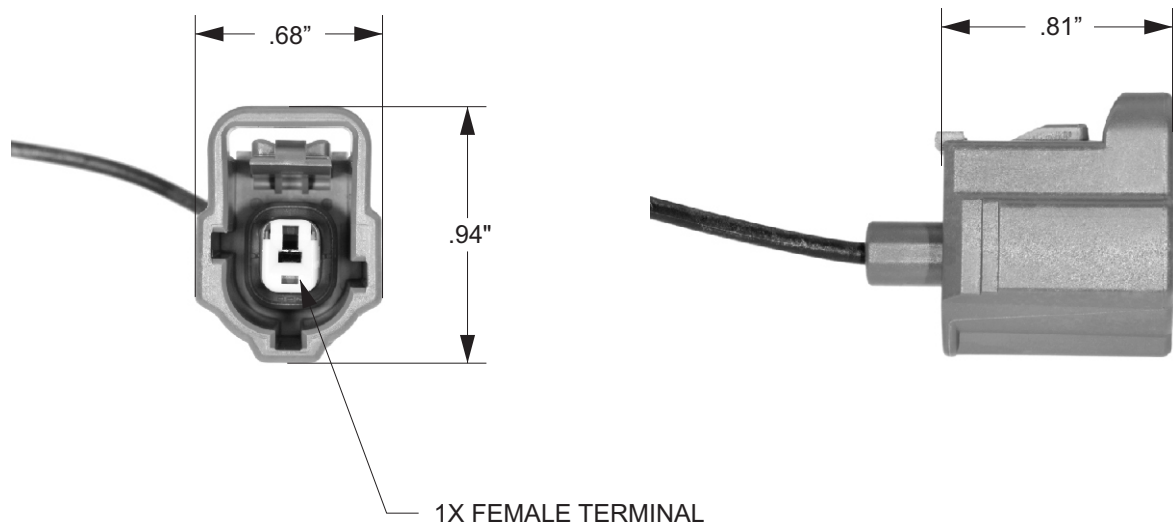
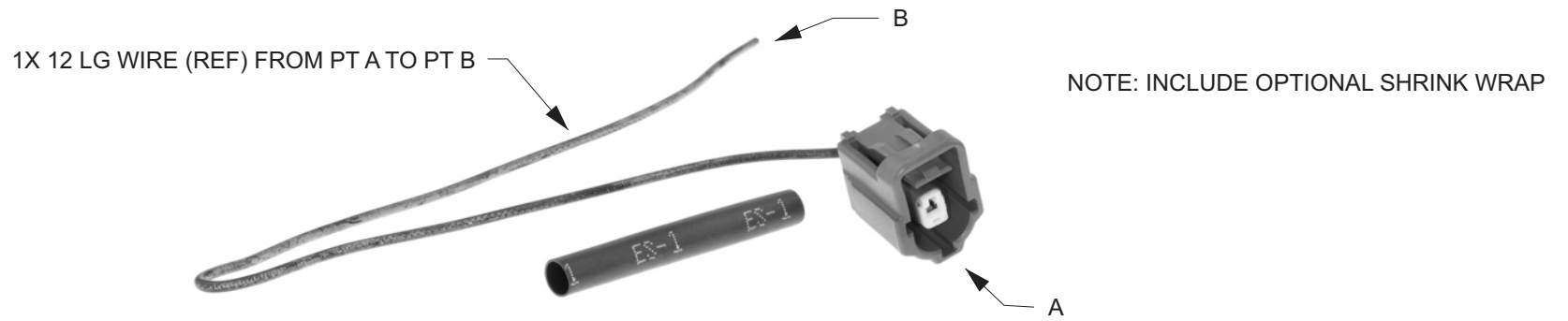


PART NO. 1454

TOLERANCES UNLESS SPECIFIED		
TWO PLACE DECIMALS +/- .015	THREE PLACE DECIMALS +/- .005	ANGLES +/- 1°



REPLACES OE# 3U2Z-14S411-MUA, WPT-452

					MATERIAL	N/A	SCALE	NTS				
							DATE	05/27/14		DWN. BY	NAK	
					FINISH	N/A	ENGINEER	05/27/14		PAH		
							APPROVED	05/27/14		TDS		
	RELEASE DRAWING	38170	5/27/14	NAK			PURCH.	<input type="checkbox"/>	PROD.	<input type="checkbox"/>	TITLE	PIGTAIL
L	REVISION	CN	DATE	BY	CAD REF.	N/A	MODEL				PART NO.	1454